

instore
products limited

5181 Everest Drive
Mississauga, Ontario
L4W 2R2

1.888.473.3629
www.instorecorp.com

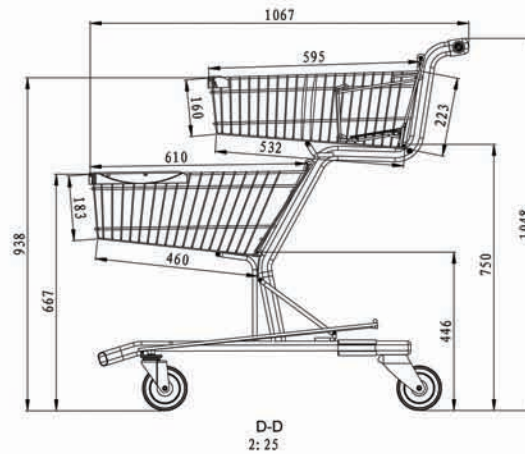
MODEL: 3BB1

Volume	17,400 in ³	285 L
Basket Capacity	n/a	n/a
Rear Basket Capacity	n/a	n/a
Weight	66 lbs	30 kg
Nesting Distance	11"	290 mm
Finish Available	E-Coat	
Colour(s)	Grey	
Wheels	5"	125 mm

model **3BB1**



*Dimensions (mm)



D-D
2: 25

