

# model 2BB2

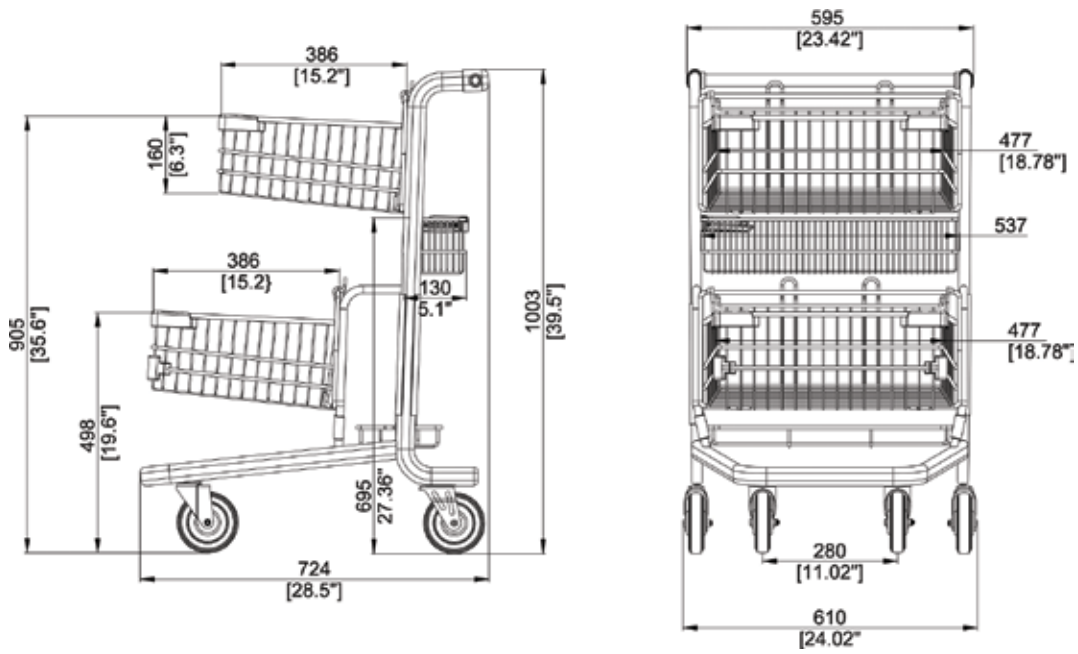
TOTAL CAPACITY	5,570 in <sup>3</sup>	91 L
BASKET CAPACITY - UPPER	2,020 in <sup>3</sup>	33 L
BASKET CAPACITY - LOWER	2,020 in <sup>3</sup>	33 L
BASKET CAPACITY - REAR	428 in <sup>3</sup>	7 L
LOWER TRAY CAPACITY		
LOWER TRAY CAPACITY - REAR	1,098 in <sup>3</sup>	18 L
NESTING DISTANCE	8.86"	225 mm
WEIGHT	46 lbs	20.9 kg

STANDARD FEATURES	E-Coat + Powder Coat 1" round handle Bumpers 5" Polyurethane wheels
-------------------	--

AVAILABLE FEATURES	Custom Colours Custom Finishes Cart Locks Anti-Static Wheel Ergonomic Handle	Cup/Floral Holder Bag Hook Scanner Holder Cart Containment Components (Factory Installed)
--------------------	--	---



5181 Everest Drive Mississauga, Ontario L4W 2R2  
1.888.473.3629 | www.instorecorp.com



\*Dimensions (inches/mm)