

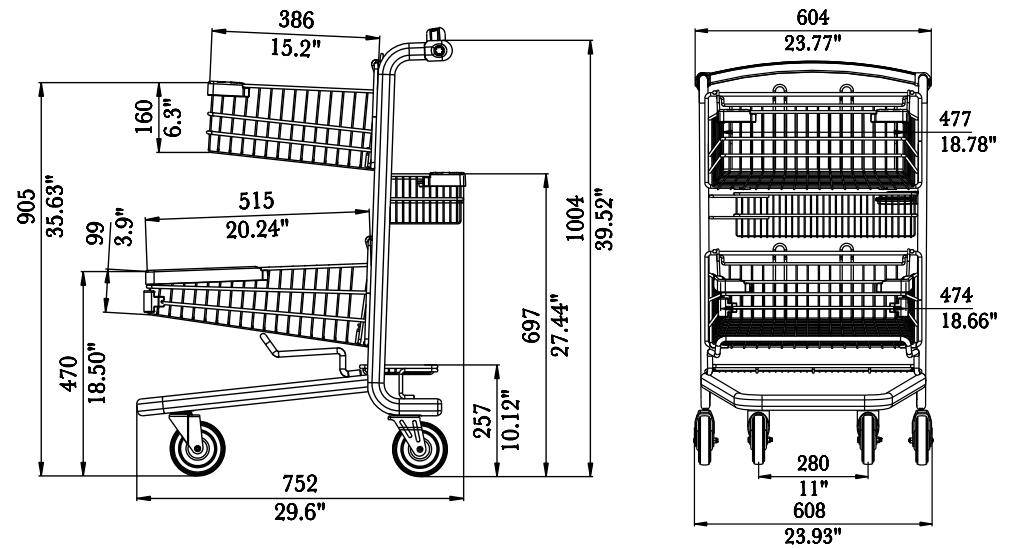
model 2BB3

| | | |
|----------------------------|--|---------|
| TOTAL CAPACITY | 6,242 in ³ | 102 L |
| BASKET CAPACITY - UPPER | 2,080 in ³ | 34 L |
| BASKET CAPACITY - LOWER | 2,325 in ³ | 38 L |
| BASKET CAPACITY - REAR | 612 in ³ | 10 L |
| LOWER TRAY CAPACITY | 1,224 in ³ | 20 L |
| LOWER TRAY CAPACITY - REAR | | |
| NESTING DISTANCE | 9.76" | 248 mm |
| WEIGHT | 50 lbs | 22.8 kg |
| STANDARD FEATURES | E-Coat + Powder Coat 1" round handle Bumpers 5" Polyurethane wheels | |

| | | |
|--------------------|-------------------|---|
| AVAILABLE FEATURES | Custom Colours | Cup/Floral Holder |
| | Custom Finishes | Bag Hook |
| | Cart Locks | Scanner Holder |
| | Anti-Static Wheel | Cart Containment Components (Factory Installed) |
| | Ergonomic Handle | |
| | | |



5181 Everest Drive Mississauga, Ontario L4W 2R2
 1.888.473.3629 | www.instorecorp.com



*Dimensions (inches/mm)