

model

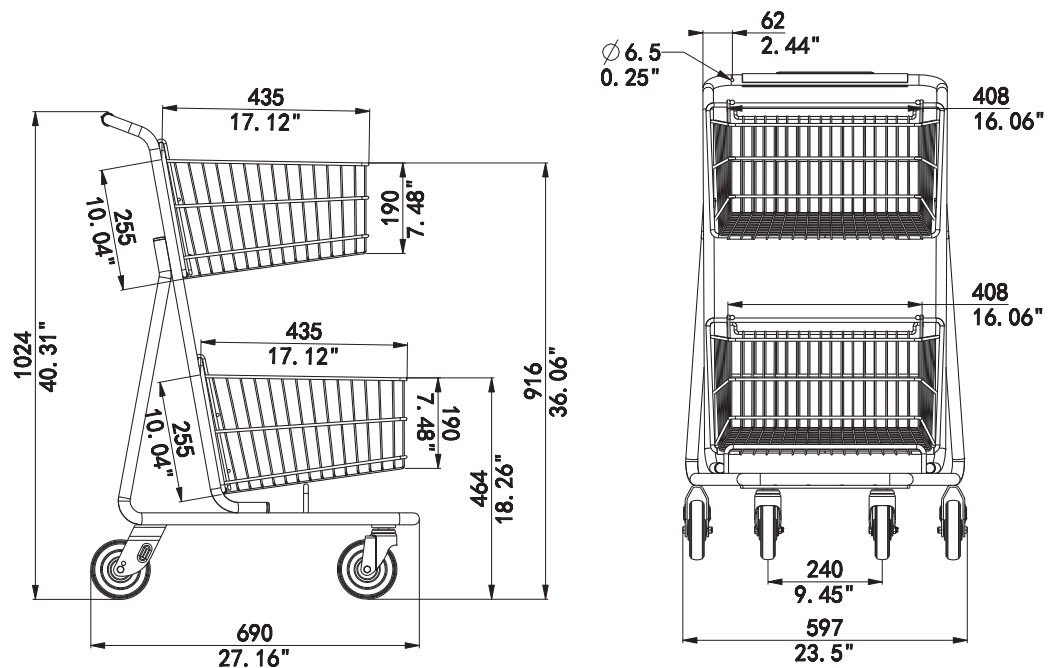
E3

TOTAL CAPACITY	5,140 in ³	84 L
BASKET CAPACITY - UPPER	2,570 in ³	42 L
BASKET CAPACITY - LOWER	2,570 in ³	42 L
BASKET CAPACITY - REAR		
LOWER TRAY CAPACITY		
LOWER TRAY CAPACITY - REAR		
NESTING DISTANCE	7.28"	185 mm
WEIGHT	38.5 lbs	17.5 kg
STANDARD FEATURES	E-Coat + Powder Coat Snap Down Handle Bumpers 5" Polyurethane wheels	

AVAILABLE FEATURES	Custom Colours	Cup/Floral Holder
	Custom Finishes	Bag Hook
	Cart Locks	Scanner Holder
	Anti-Static Wheel	Cart Containment Components
	Ergonomic Handle	(Factory Installed)



5181 Everest Drive Mississauga, Ontario L4W 2R2
 1.888.473.3629 | www.instorecorp.com



This slide and its contents are proprietary and strictly confidential. By its acceptance hereof, the recipient agrees not to copy, distribute or otherwise disclose to any third parties this slide or any of its contents without the prior written consent of In-Store Products Limited.

*Dimensions (inches/mm)