

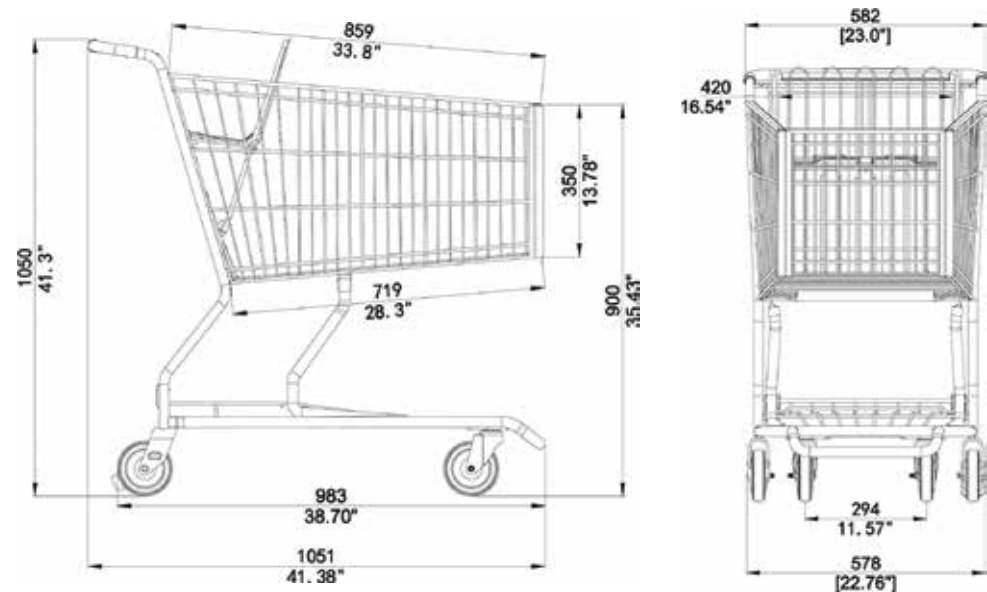
model **INS147**

TOTAL CAPACITY	15,667 in ³	256 L
BASKET CAPACITY - UPPER	8,996 in ³	147 L
BASKET CAPACITY - LOWER		
BASKET CAPACITY - REAR		
LOWER TRAY CAPACITY	6,671 in ³	109 L
LOWER TRAY CAPACITY - REAR		
NESTING DISTANCE	12.80"	325 mm
WEIGHT	53.9 lbs	24.5 kg
STANDARD FEATURES	E-Coat + Powder Coat Snap Down Handle Bumpers 5" Polyurethane wheels ASTM approved Nylon Seatbelt Corner Handle Extension	

AVAILABLE FEATURES	Custom Colours	Cup/Floral Holder
	Custom Finishes	Bag Hook
	Cart Locks	Scanner Holder
	Anti-Static Wheel	Cart Containment Components (Factory Installed)
	Custom Leg hole covers	



5181 Everest Drive Mississauga, Ontario L4W 2R2
 1.888.473.3629 | www.instorecorp.com



*Dimensions (inches/mm)