

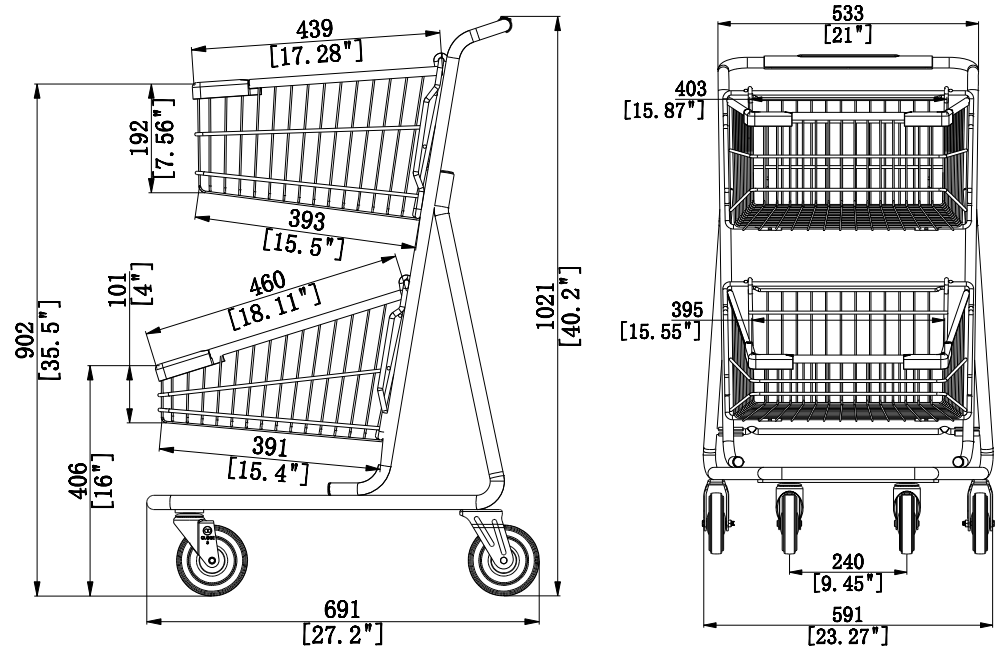
model **INS541**

TOTAL CAPACITY	5,325 in ³	87 L
BASKET CAPACITY - UPPER	2,326 in ³	38 L
BASKET CAPACITY - LOWER	2,142 in ³	35 L
BASKET CAPACITY - REAR		
LOWER TRAY CAPACITY	857 in ³	14 L
LOWER TRAY CAPACITY - REAR		
NESTING DISTANCE	8.10"	205 mm
WEIGHT	40.7 lbs	18.5 kg
STANDARD FEATURES	E-Coat + Powder Coat Snap Down Handle Bumpers 5" Polyurethane wheels	

AVAILABLE FEATURES	Custom Colours	Cup/Floral Holder
	Custom Finishes	Bag Hook
	Cart Locks	Scanner Holder
	Anti-Static Wheel	Cart Containment Components (Factory Installed)
	Ergonomic Handle	
	Custom Leg hole covers	



5181 Everest Drive Mississauga, Ontario L4W 2R2
 1.888.473.3629 | www.instorecorp.com



*Dimensions (inches/mm)