

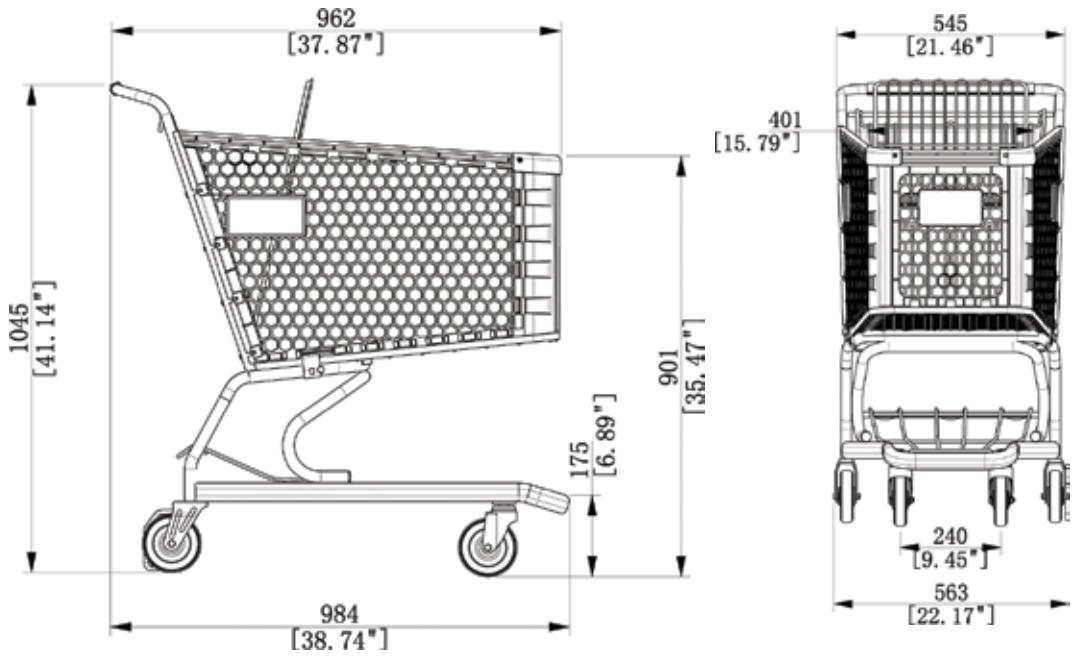
# model INSP150

TOTAL CAPACITY	11,750 in <sup>3</sup>	192 L
BASKET CAPACITY - UPPER	9,180 in <sup>3</sup>	150 L
BASKET CAPACITY - LOWER		
BASKET CAPACITY - REAR		
LOWER TRAY CAPACITY	2,570 in <sup>3</sup>	42 L
LOWER TRAY CAPACITY - REAR		
NESTING DISTANCE	10.24"	260 mm
WEIGHT	43.6 lbs	19.8 kg
STANDARD FEATURES	E-Coat + Powder Coat Frame Snap Down Handle Bumpers 5" Polyurethane wheels ASTM approved Nylon Seatbelt	

AVAILABLE FEATURES	Custom Colours	Cup/Floral Holder
	Custom Finishes	Bag Hook
	Cart Locks	Scanner Holder
	Anti-Static Wheel	Cart Containment Components (Factory Installed)
	Custom Leg hole covers	
	Custom Branding	



5181 Everest Drive Mississauga, Ontario L4W 2R2  
 1.888.473.3629 | www.instorecorp.com



\*Dimensions (inches/mm)