

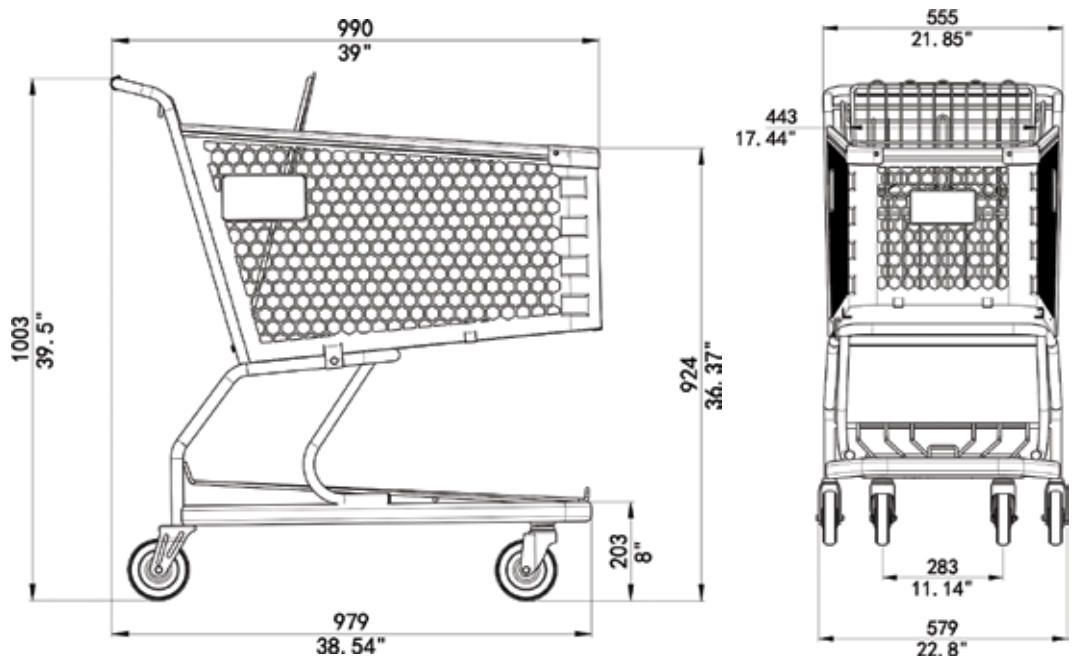
model INSP180

TOTAL CAPACITY	14,566 in ³	238 L
BASKET CAPACITY - UPPER	11,016 in ³	180 L
BASKET CAPACITY - LOWER		
BASKET CAPACITY - REAR		
LOWER TRAY CAPACITY	3,550 in ³	58 L
LOWER TRAY CAPACITY - REAR		
NESTING DISTANCE	12.91"	328 mm
WEIGHT	52.8 lbs	24.0 kg
STANDARD FEATURES	E-Coat + Powder Coat Frame Snap Down Handle Bumpers 5" Polyurethane wheels ASTM approved Nylon Seatbelt	

AVAILABLE FEATURES	Custom Colours	Cup/Floral Holder
	Custom Finishes	Bag Hook
	Cart Locks	Scanner Holder
	Anti-Static Wheel	Cart Containment Components (Factory Installed)
	Custom Leg hole covers	
	Custom Branding	



5181 Everest Drive Mississauga, Ontario L4W 2R2
 1.888.473.3629 | www.instorecorp.com



*Dimensions (inches/mm)