

model

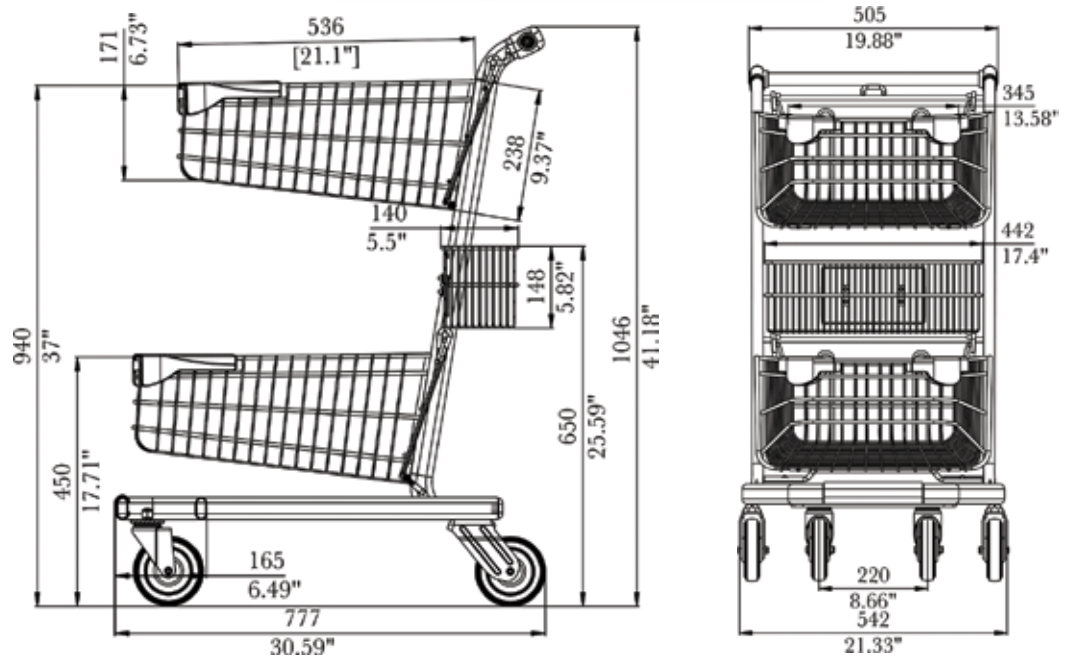
IS2

TOTAL CAPACITY	5,574 in ³	94 L
BASKET CAPACITY - UPPER	2,632 in ³	43 L
BASKET CAPACITY - LOWER	2,632 in ³	43 L
BASKET CAPACITY - REAR	490 in ³	8 L
LOWER TRAY CAPACITY		
LOWER TRAY CAPACITY - REAR		
NESTING DISTANCE	6.50"	165 mm
WEIGHT	42.9 lbs	19.5 kg
STANDARD FEATURES	E-Coat + Powder Coat 1" round handle Bumpers 5" Polyurethane wheels	

AVAILABLE FEATURES	Custom Colours	Cup/Floral Holder
	Custom Finishes	Bag Hook
	Cart Locks	Scanner Holder
	Anti-Static Wheel	Cart Containment Components (Factory Installed)
	Ergonomic Handle	



5181 Everest Drive Mississauga, Ontario L4W 2R2
 1.888.473.3629 | www.instorecorp.com



*Dimensions (inches/mm)