

# model **OX-5**

## Specifications

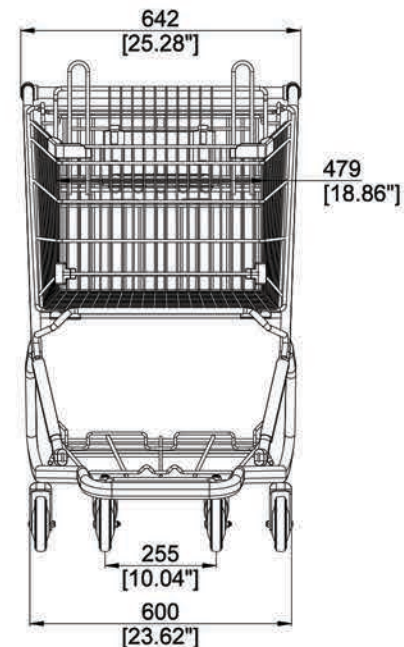
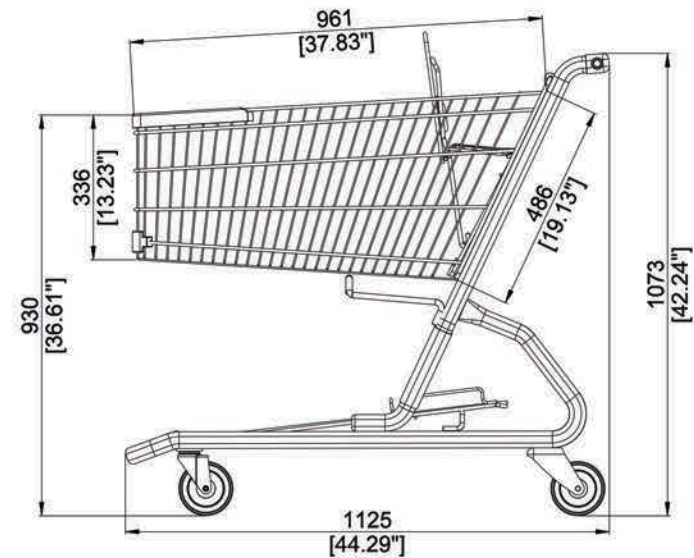
<b>Volume</b>	16,524 in <sup>3</sup>	270 L
<b>Basket Capacity</b>	10,098 in <sup>3</sup>	165 L
<b>Rear Basket Capacity</b>	N/A	N/A
<b>Weight</b>	69.80 lbs	31.7 kg
<b>Nesting Distance</b>	11.22"	285 mm
<b>Finish Available</b>	E-Coat	
<b>Colour(s)</b>	Options Available	
<b>Wheels</b>	5"	125 mm



**instore**  
products limited

5181 Everest Drive  
Mississauga, Ontario  
L4W 2R2

1.888.473.3629  
www.instorecorp.com



\*Dimensions (inches/mm)