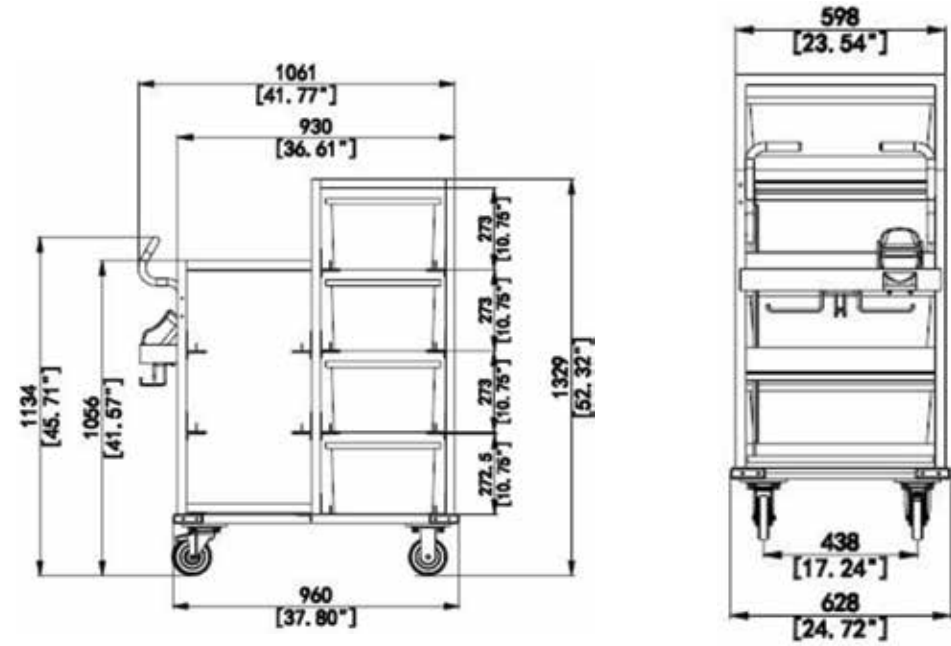


model Picking Vehicle

TOTAL CAPACITY	11,750 in ³	192 L
BASKET CAPACITY - UPPER		
BASKET CAPACITY - LOWER		
BASKET CAPACITY - REAR		
LOWER TRAY CAPACITY	11,750 in ³	192 L
LOWER TRAY CAPACITY - REAR		
NESTING DISTANCE		
WEIGHT	159.5 lbs	72.5 kg
STANDARD FEATURES	Aluminum Ergonomic handles Scanner / pda Holder Utilities Tray 6 tote capacity with bottom shelf Top tray / Scale shelf	
AVAILABLE FEATURES	No Scale configuration 8 tote capacity	



5181 Everest Drive Mississauga, Ontario L4W 2R2
 1.888.473.3629 | www.instorecorp.com

*Dimensions (inches/mm)